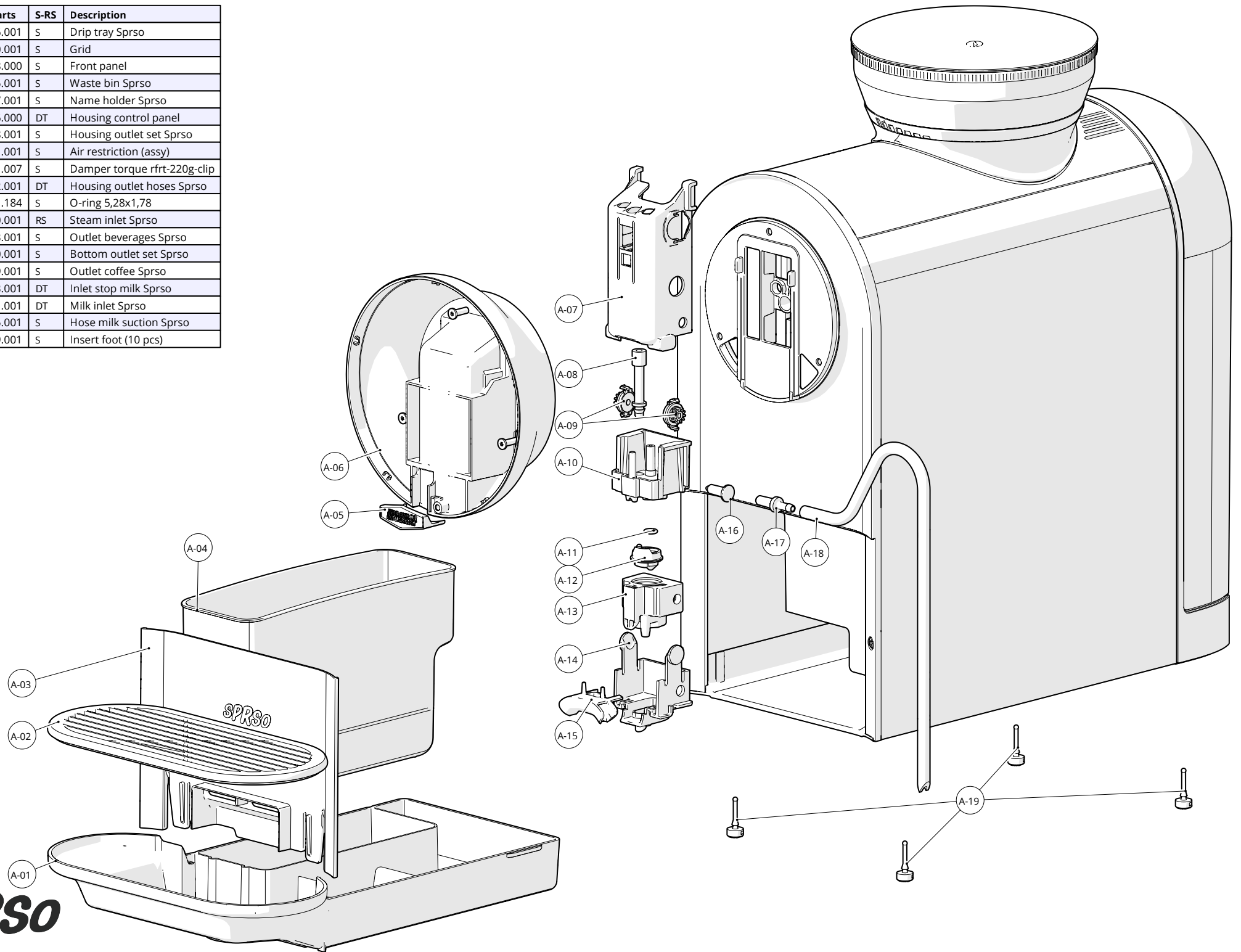
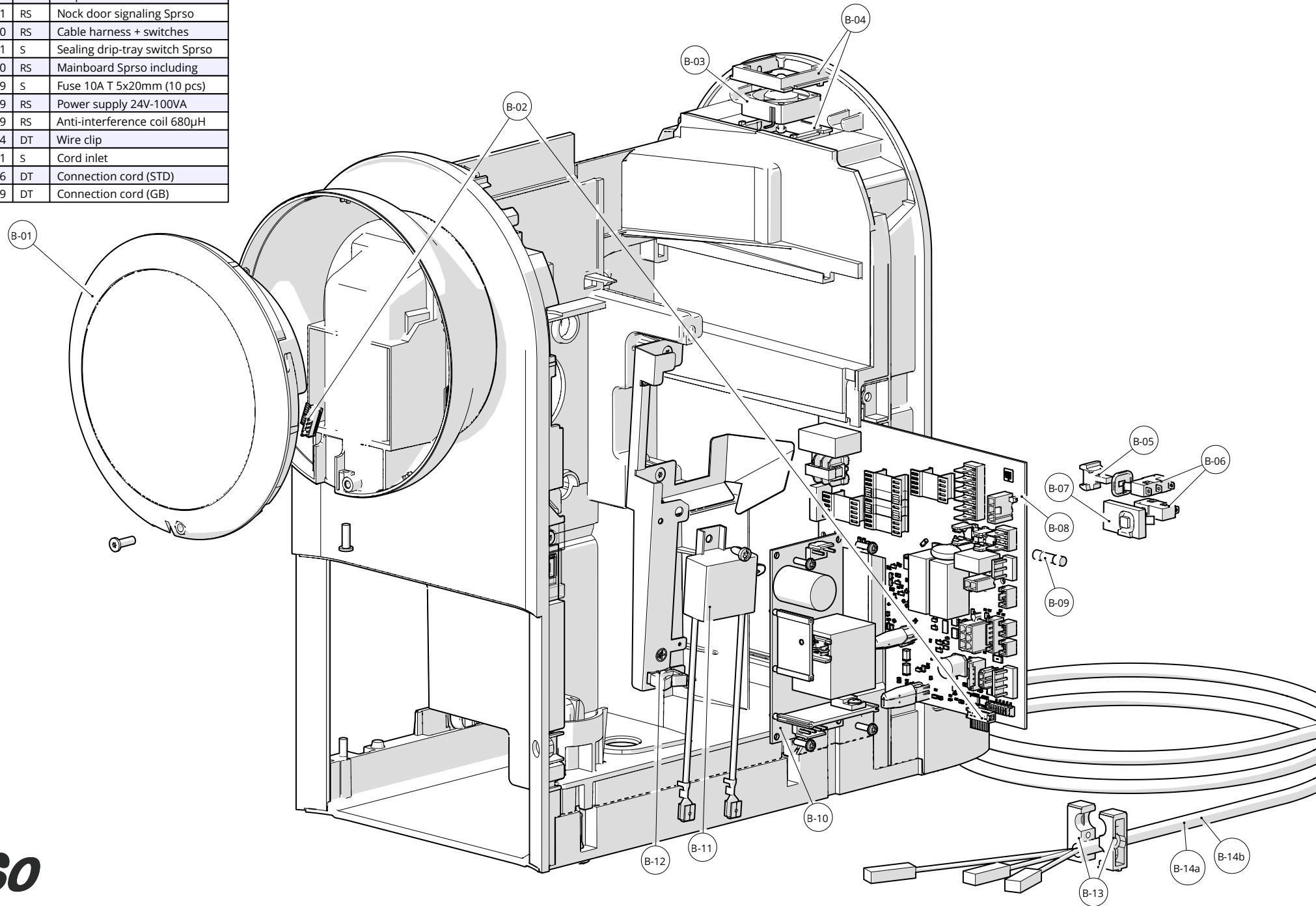


ID	Service parts	S-RS	Description
A-01	6.431.016.001	S	Drip tray Sprso
A-02	6.431.030.001	S	Grid
A-03	6.431.028.000	S	Front panel
A-04	6.431.015.001	S	Waste bin Sprso
A-05	6.431.027.001	S	Name holder Sprso
A-06	6.431.006.000	DT	Housing control panel
A-07	6.431.008.001	S	Housing outlet set Sprso
A-08	6.431.101.001	S	Air restriction (assy)
A-09	6.017.001.007	S	Damper torque rfrt-220g-clip
A-10	6.431.012.001	DT	Housing outlet hoses Sprso
A-11	6.011.001.184	S	O-ring 5,28x1,78
A-12	6.431.010.001	RS	Steam inlet Sprso
A-13	6.431.013.001	S	Outlet beverages Sprso
A-14	6.431.050.001	S	Bottom outlet set Sprso
A-15	6.431.009.001	S	Outlet coffee Sprso
A-16	6.431.043.001	DT	Inlet stop milk Sprso
A-17	6.431.011.001	DT	Milk inlet Sprso
A-18	6.431.075.001	S	Hose milk suction Sprso
A-19	6.101.039.001	S	Insert foot (10 pcs)



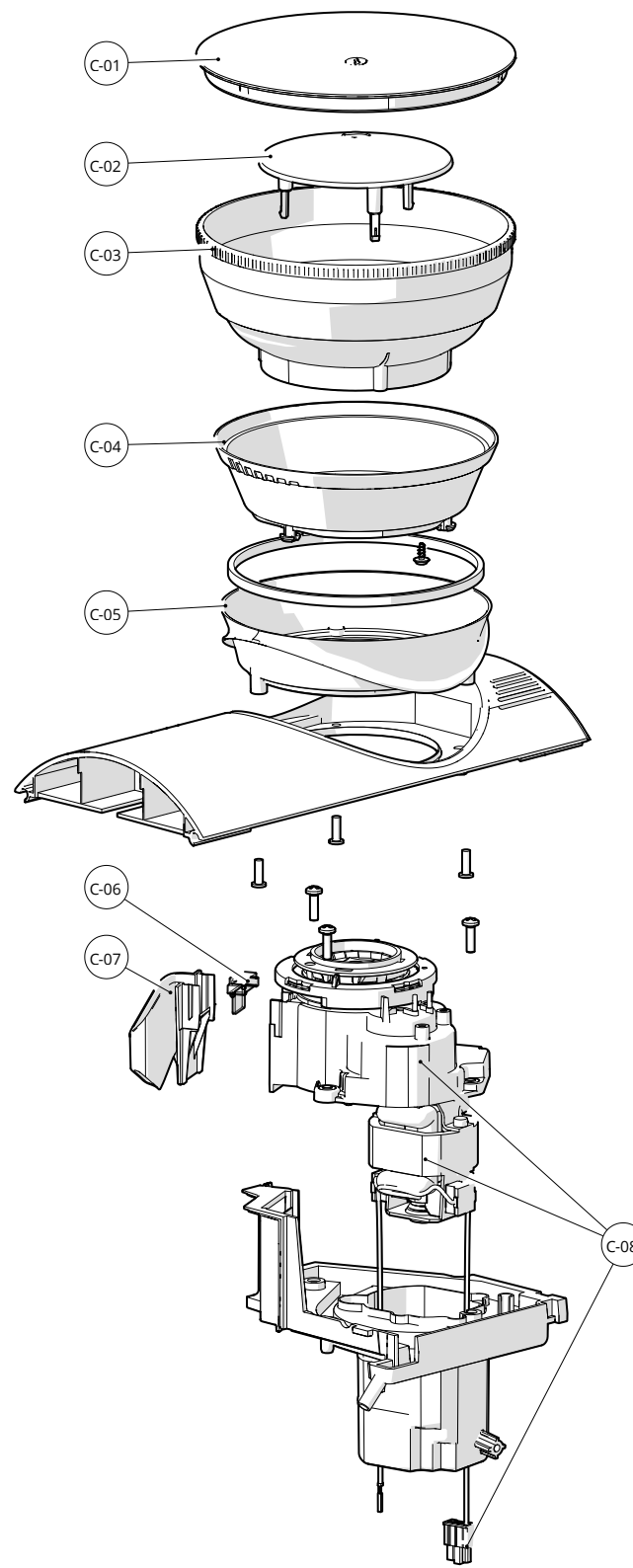
**SPRSO**

ID	Service parts	S-RS	Description
B-01	6.431.007.000	RS	Controle panel (assy)
B-02	6.431.080.000	S	Flat cable
B-03	6.017.006.008	RS	Fan
B-04	6.431.097.001	S	Suspension fan
B-05	6.431.095.001	RS	Nock door signaling Sprso
B-06	6.431.110.000	RS	Cable harness + switches
B-07	6.431.116.001	S	Sealing drip-tray switch Sprso
B-08	6.431.078.000	RS	Mainboard Sprso including
B-09	6.005.011.039	S	Fuse 10A T 5x20mm (10 pcs)
B-10	6.004.011.109	RS	Power supply 24V-100VA
B-11	6.004.012.009	RS	Anti-interference coil 680μH
B-12	6.006.010.084	DT	Wire clip
B-13	6.329.253.001	S	Cord inlet
B-14a	6.003.012.176	DT	Connection cord (STD)
B-14b	6.003.012.039	DT	Connection cord (GB)



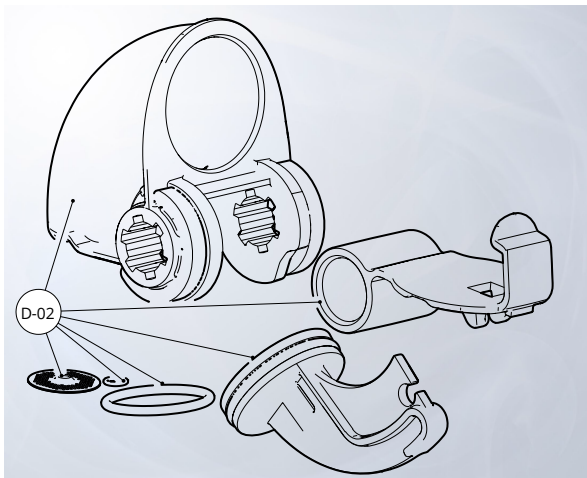
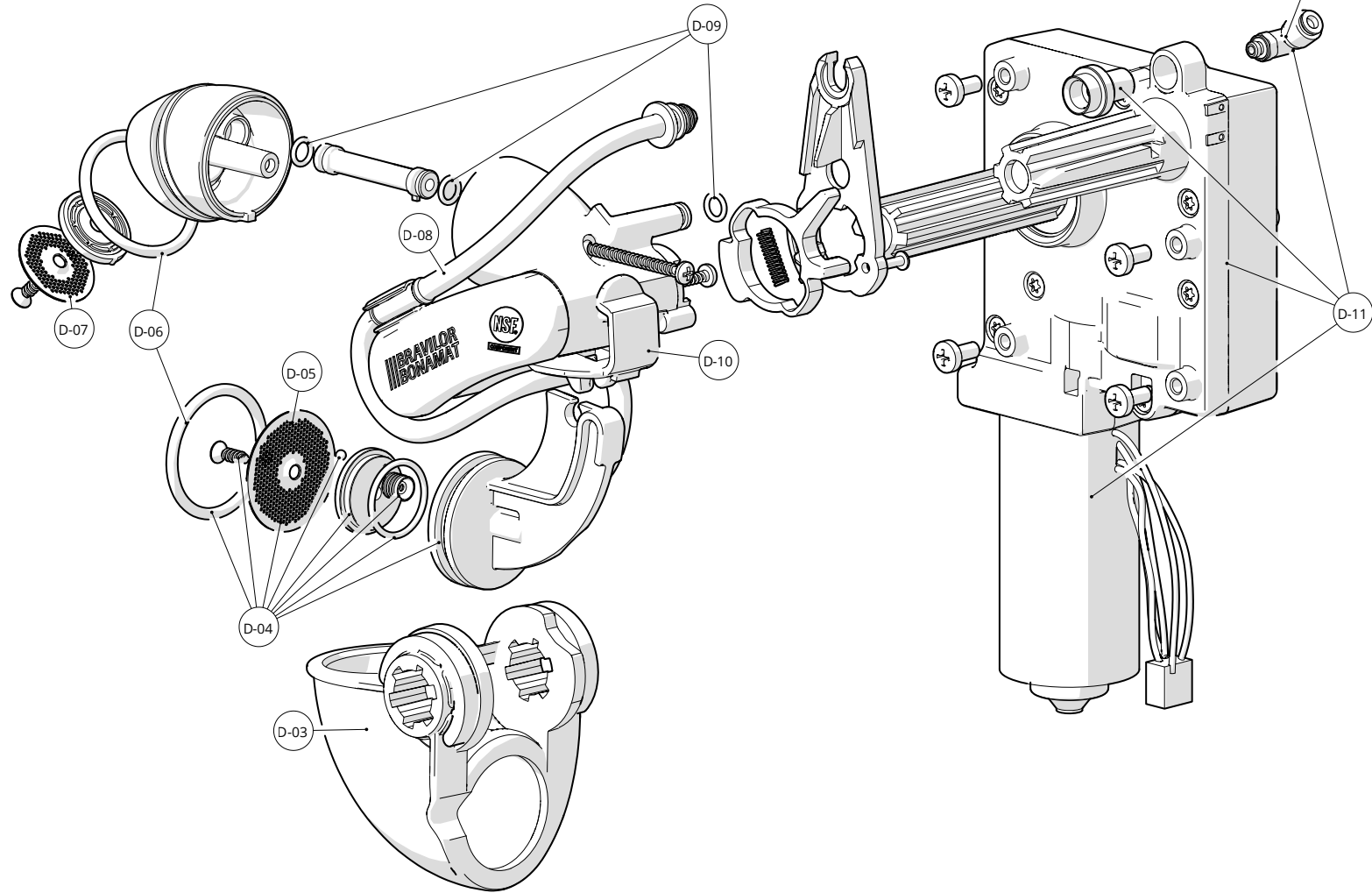
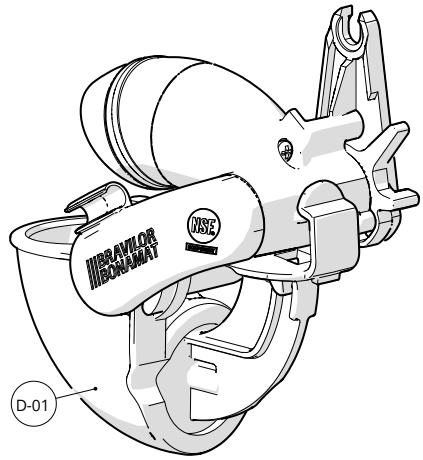
**SPRSO**

ID	Service parts	S-RS	Description
C-01	6.431.017.001	S	Lid bean canister Sprso
C-02	6.431.018.001	DT	Divider bean canister Sprso
C-03	6.431.019.001	S	Bean canister Sprso
C-04	6.431.020.001	DT	Ring bean canister Sprso
C-05	6.431.082.000	DT	Neck bean canister Sprso
C-06	6.431.120.001	DT	Flapper outlet grinder
C-07	6.431.021.001	S	Outlet grinder Sprso
C-08	6.030.079.111	RS	Grinder 230V single



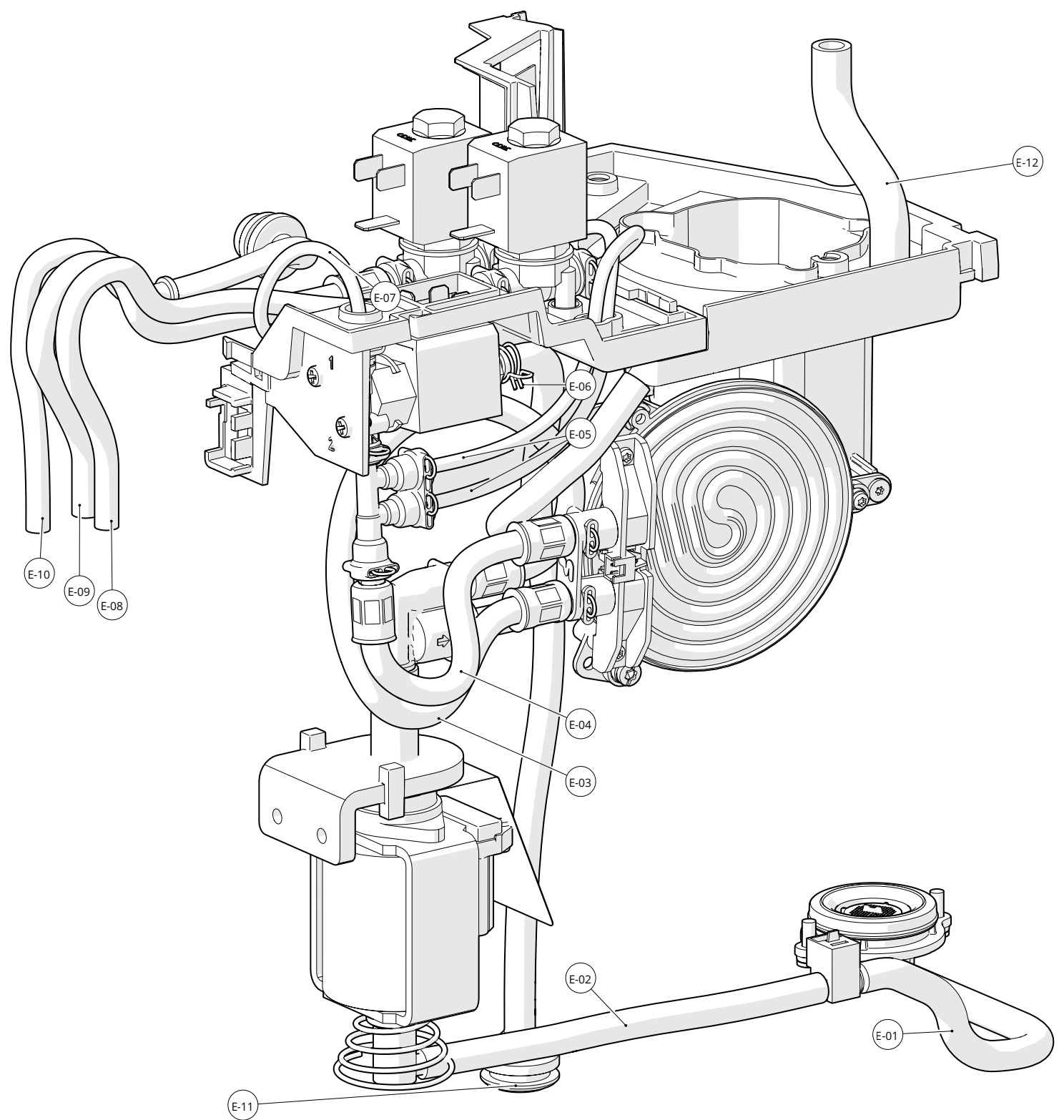
**SPRSO**

ID	Service parts	S-RS	Description
D-01	6.000.431.007	S	CIRCO-Brewer (assy)
D-02	6.000.331.083	S	Cylinder+piston CIRCO-Brewer
D-03	6.000.331.079	S	Cylinder
D-04	6.000.331.078	S	Piston CIRCO-brewer (assy)
D-05	6.013.004.053	RS	Sieve micro filter (flat)
D-06	6.011.001.170	S	O-ring d 32,92 x 3,53 sil 70
D-07	6.013.004.054	RS	Sieve micro filter ø25 flat
D-08	6.431.072.001	S	Hose brewer
D-09	6.011.001.152	S	O-ring 6,02x1,63
D-10	6.331.423.001	S	Mounting bracket plunger
D-11	6.000.431.006	RS	Motor rotation brewer Sprso
D-12	6.013.001.211	S	Coupling ø4 M5

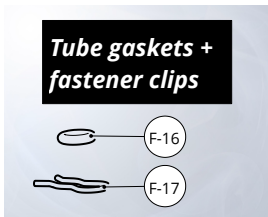
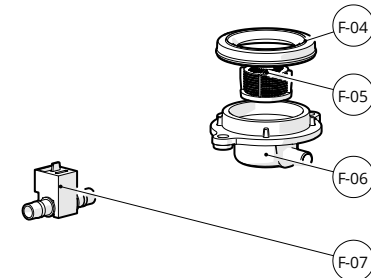
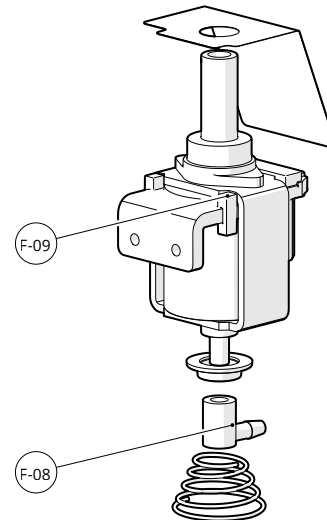
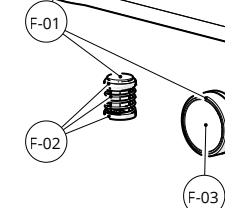
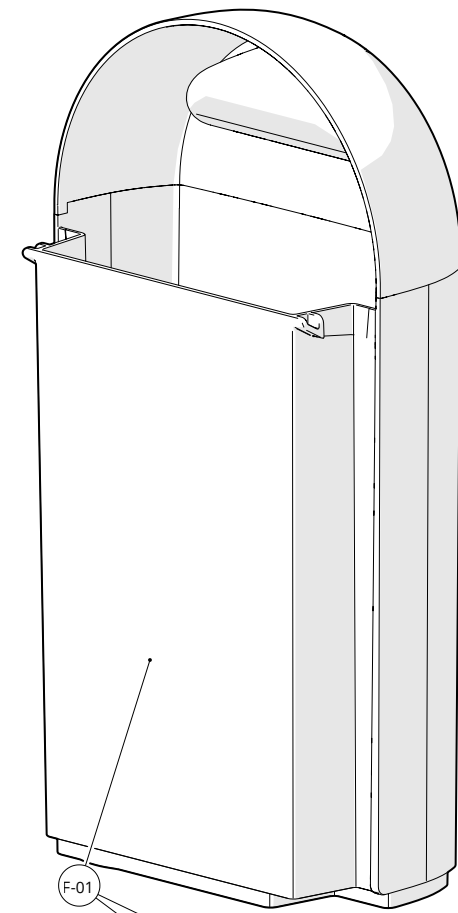
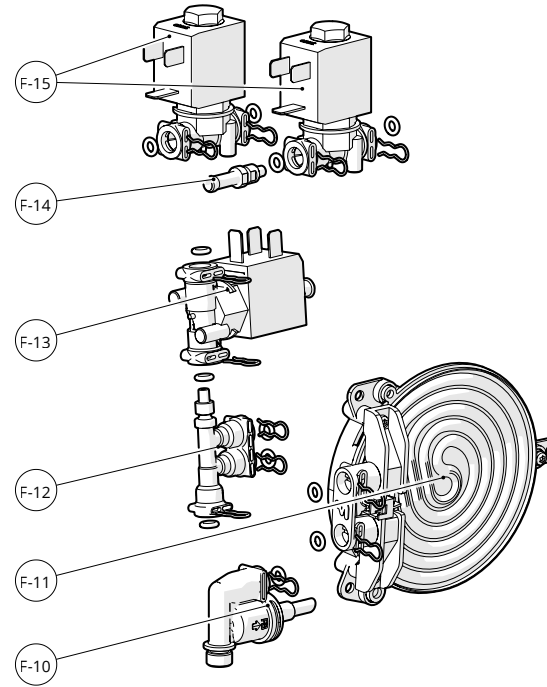


**SPRSO**

ID	Service parts	S-RS	Description	mm
E-01	6.019.033.025	S	Silicone tube 5x2	185
E-02	6.019.033.025	S	Silicone tube 5x2	140
E-03	6.431.113.000	S	Reinforced hose (assy)	300
E-04	6.431.115.000	S	Reinforced hose (assy)	120
E-05	6.431.070.000	S	Tube 2.0x1.0 (assy)	200
E-06	6.001.079.014	S	Hose clamp 9,6mm	
E-07	6.431.068.000	S	Tube 2.0x1.0 (assy)	110
E-08	6.019.033.009	S	Silicone tube 4x1.5	210
E-09	6.431.114.000	S	Reinforced hose (assy)	210
E-10	6.431.073.001	S	Hose coffee outlet Sprso	
E-11	6.431.063.001	S	Overflow hose Sprso	
E-12	6.019.033.004	S	Silicone tube 7.5x2	80



ID	Service parts	S-RS	Description
F-01	6.000.431.018	S	Water tank Sprso fabricated
F-02	6.431.052.001	S	Outlet stop water tank Sprso
F-03	6.431.047.000	RS	Float Sprso
F-04	6.431.054.001	S	Sealing ring water inlet Sprso
F-05	6.016.018.023	S	Sieve
F-06	6.431.026.001	S	Water inlet Sprso
F-07	6.016.024.016	RS	Flow sensor $\varnothing 1,1\text{mm}$ 2x 6,9mm
F-08	6.013.001.244	S	L-piece $\varnothing 7,5 \times \varnothing 6$ (internal)
F-09	6.023.004.048	RS	Pump 230V-50Hz 53W
F-10	6.013.005.023	RS	Safety valve overpressure
F-11	6.431.056.000	RS	Element 230V 1850W (assy)
F-12	6.431.032.001	S	Manifold 3-way fast connection
F-13	6.016.001.137	RS	Water valve 3/2 24V DC NC
F-14	6.431.065.001	S	Hose coupling $\varnothing 4 \times \varnothing 4$ fast connection
F-15	6.016.001.136	RS	Water valve 2/2 24V DC NC (1 pcs)
F-16	6.011.001.185	S	O-ring 3,68x1,78
F-17	6.431.077.001	S	Locking clip hose $\varnothing 4$



**Note: F-06**  
For machines with a lower serial number as of **020002238255** the service set **6.000.431.029** must be ordered



For more information  
click or scan the QR-code